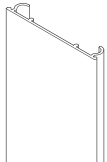
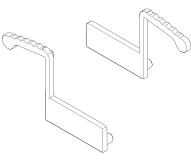
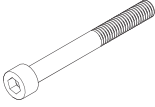
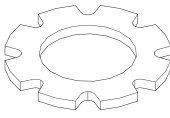
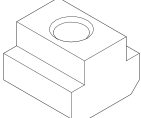
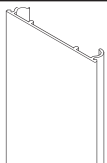
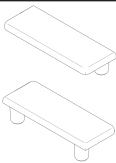
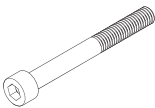
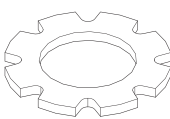
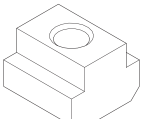


CPREG-P / CPREG-S

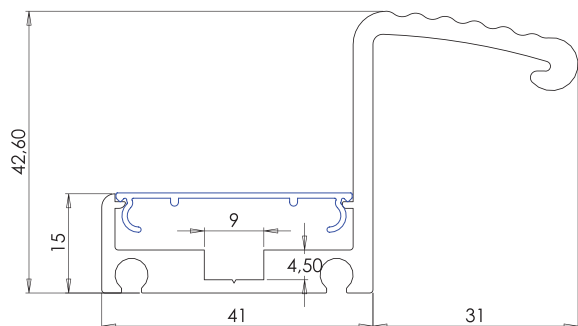
Poignées renfort pour bandeau CPREG®
Reinforcement profiles for aluminium handles CPREG®

CARACTÉRISTIQUES TECHNIQUES - TECHNICAL SPECIFICATIONS

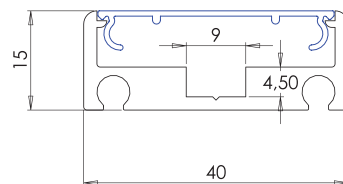
Composition du kit Bill of material CPREG-P					
	Parclose Screw cover	Flasques End caps	M6 x 60	W-M6	N-M6
CPREG-P/40AS CPREG-P/40B	400 mm x1	x1	x2	x2	x2
CPREG-P/60AS CPREG-P/60B	600 mm x1	x1	x3	x3	x3
CPREG-P/250AS CPREG-P/250B	2500 mm x1	x1	x6	x6	x6
CPREG-P/300AS CPREG-P/300B	3000 mm x1	x1	x6	x6	x6

Composition du kit Bill of material CPREG-S					
	Parclose Screw cover	Flasques End caps	M6 x 60	W-M6	N-M6
CPREG-S/40AS CPREG-S/40B	400 mm x1	x1	x2	x2	x2
CPREG-S/60AS CPREG-S/60B	600 mm x1	x1	x3	x3	x3
CPREG-S/250AS CPREG-S/250B	2500 mm x1	x1	x6	x6	x6
CPREG-S/300AS CPREG-S/300B	3000 mm x1	x1	x6	x6	x6

DIMENSIONS



CPREG-P
Renfort poignée
Reinforcement profile with handle



CPREG-S
Renfort simple
Standard reinforcement profile

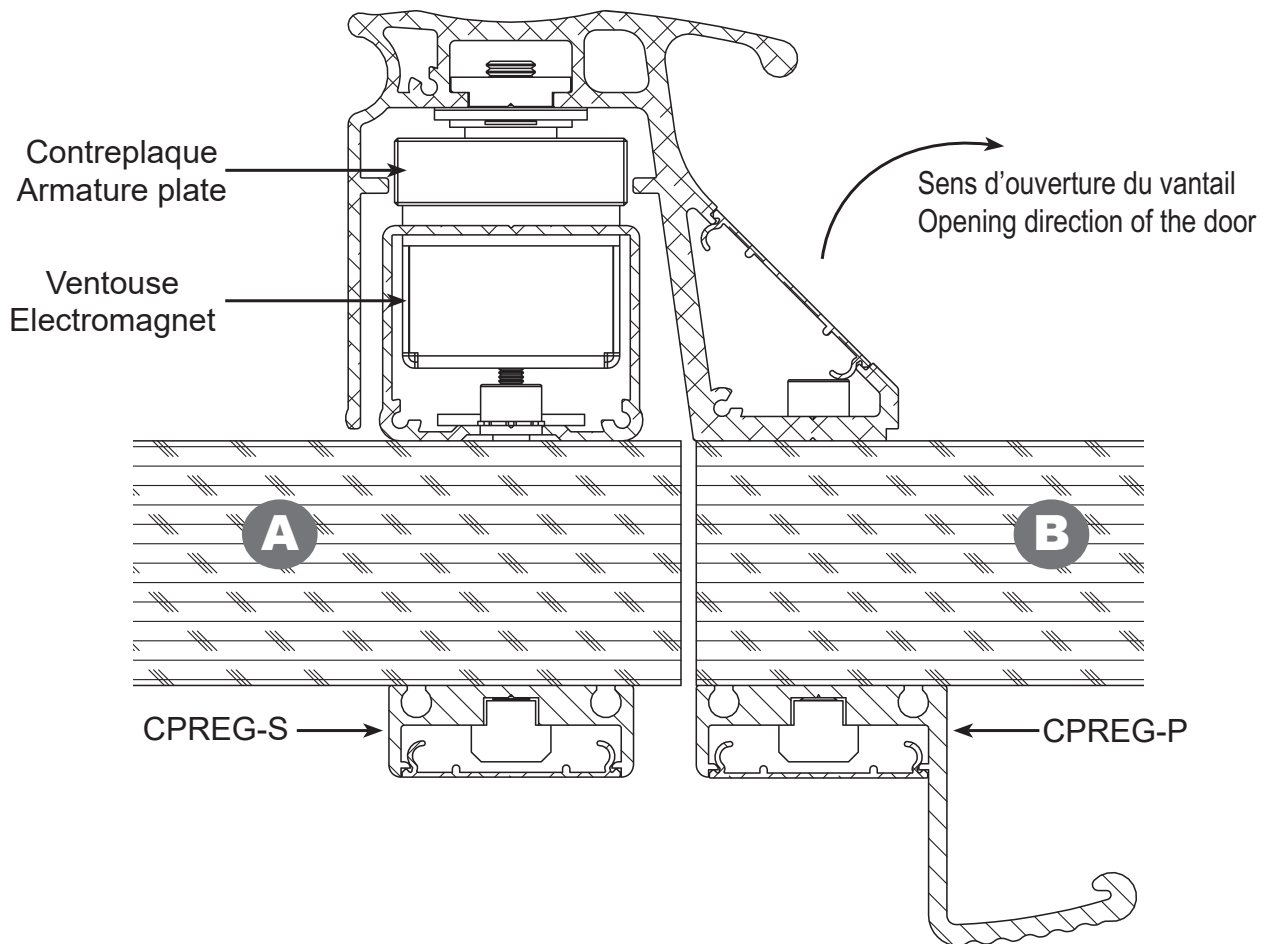
Exemple d'implantation
Installation example

Vantail semi-fixe ou cadre de porte
Door frame

A

Vantail de service
Door leaf

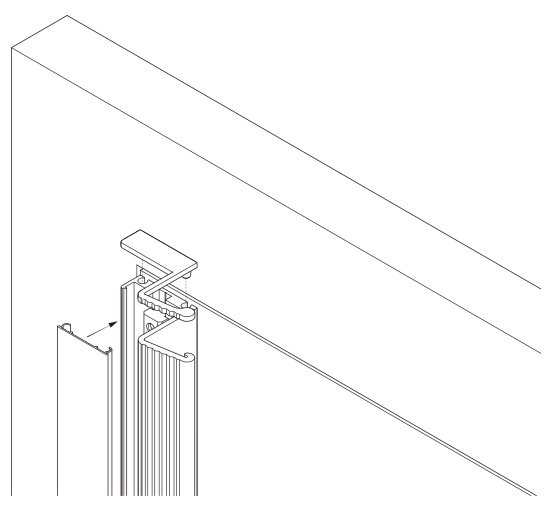
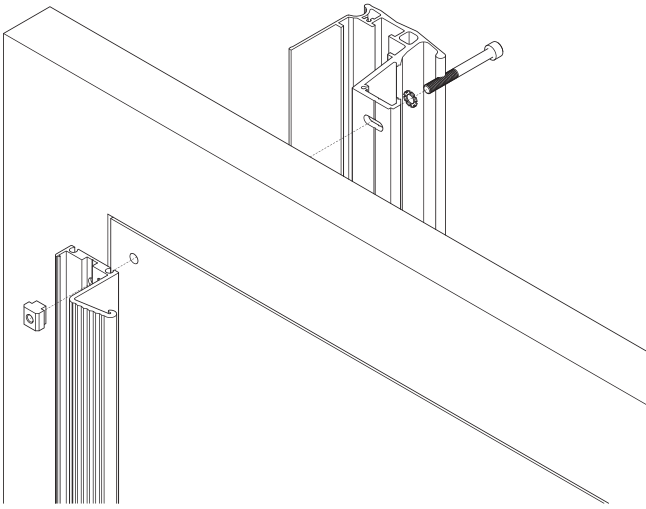
B



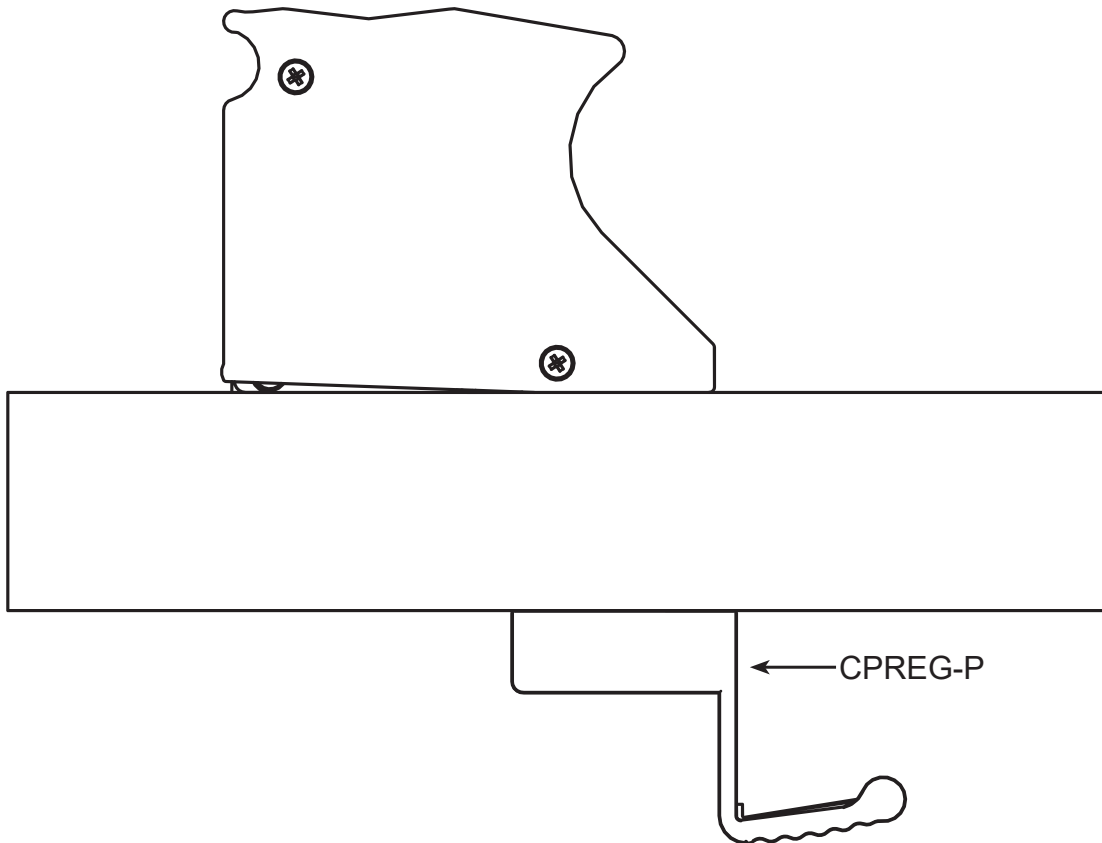
CPREG-P

1

2

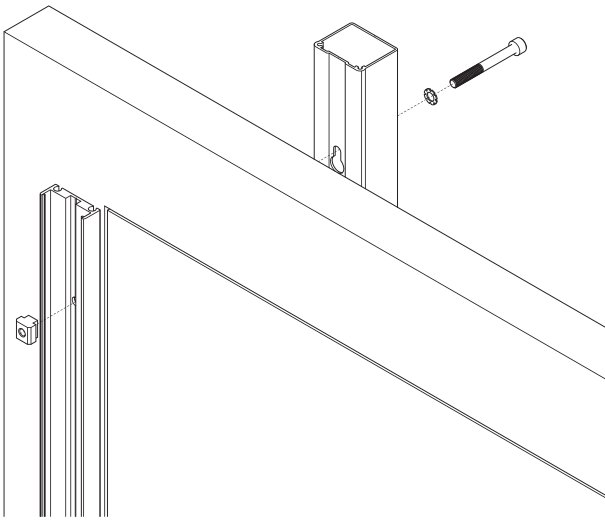


3

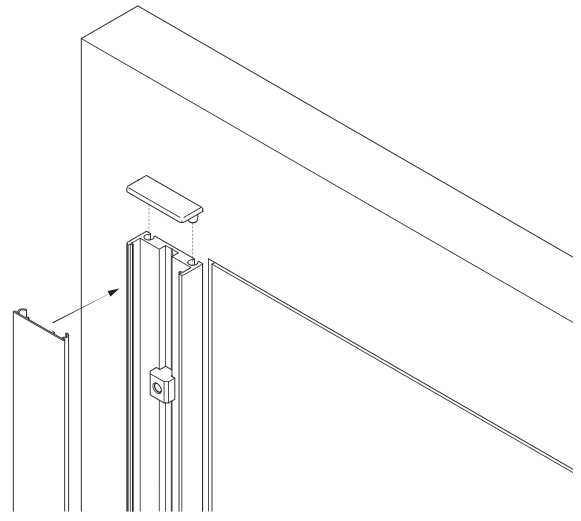


CPREG-S

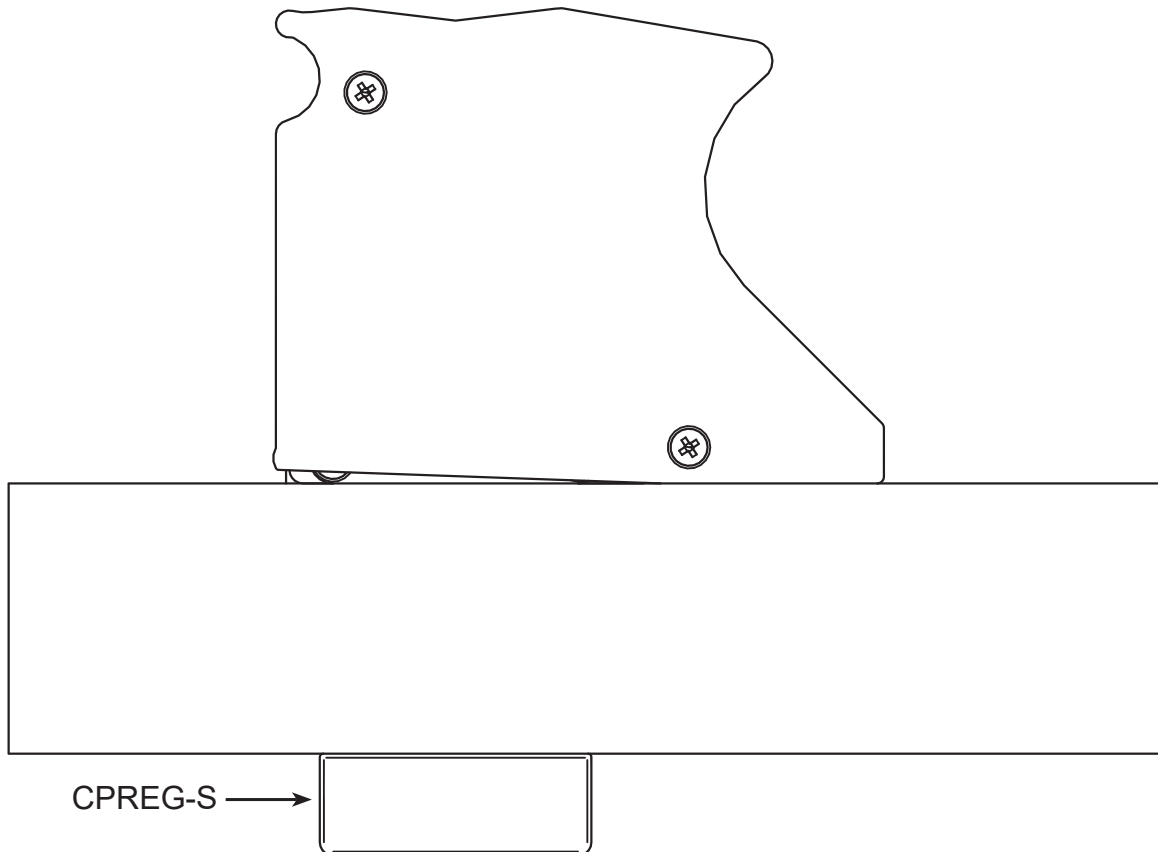
1



2



3



Consignes de tri pouvant varier localement : www.consignesdetri.fr



Produit =
Métal
recyclable